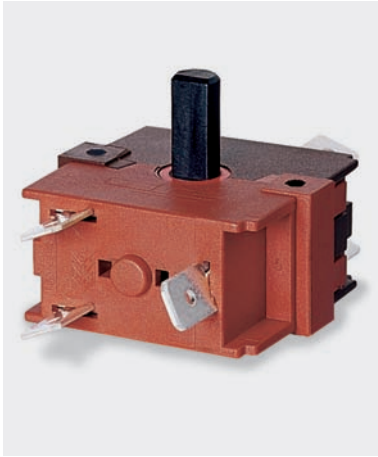


# 9100 Rotary Switches 16A 250Vac



- ▶ 2 to 6 position rotary switch
- ▶ Ratings up to 20A, 277 Vac Non Inductive
- ▶ Pairs of single pole change over contacts
- ▶ Wide choice of switching circuits
- ▶ Can be stacked together



16(4)A 250Vac T125  
16A 400Vac T125

8(8)A 250Vac T125 5E4 (50,000 Operations)



UL CSA 20A Non Ind 277Vac, 250Vac 2hp, 125Vac 1hp  
UL 85°C, file no. E45221, CSA file no. LR10990

In house test

30A 12V dc



RoHS compliant

9100 switches are highly versatile with up to 6 positions at 30° intervals and 6 terminals per switch. For more complex switching (7 positions & over), contact sales. Two switches may be stacked to give up to 12 terminal switching.

3mm contact gap.

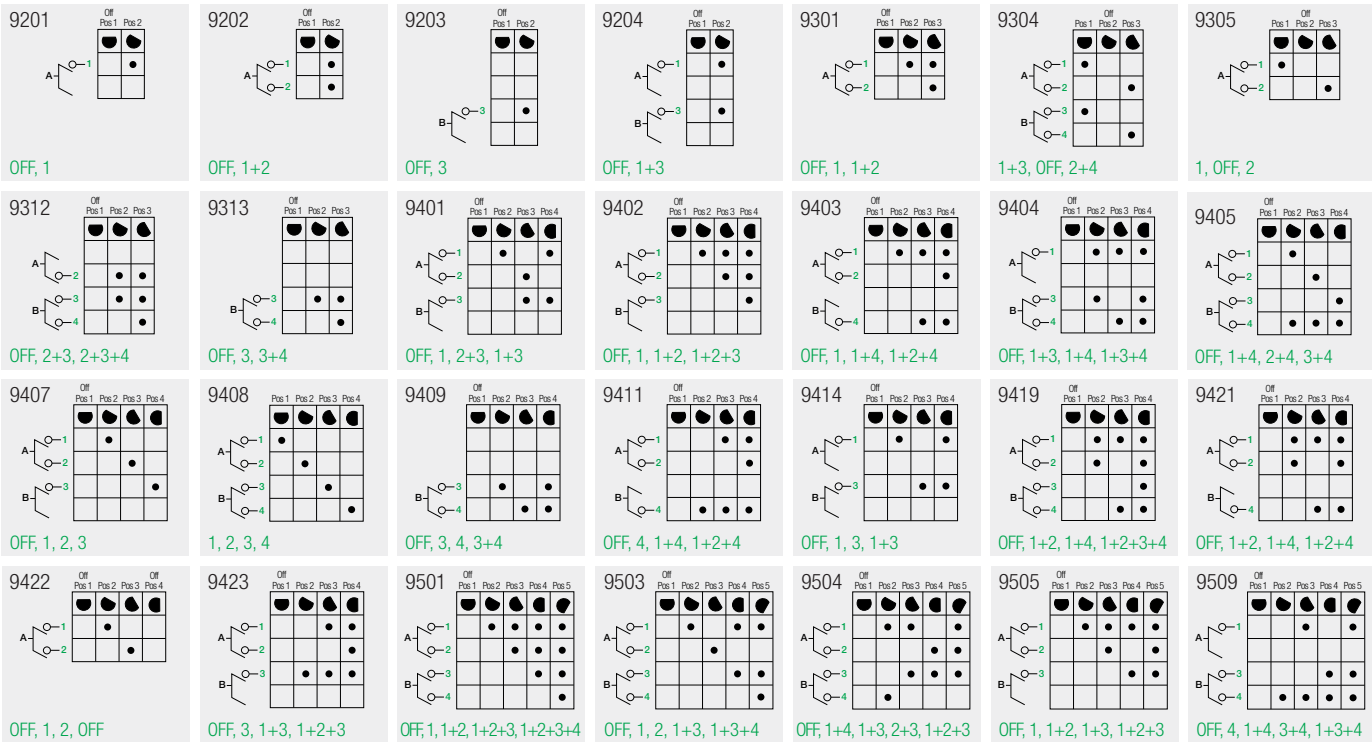
Technical data on pages 4 & 5.

## C 9 5 01 D A Stop at 120°

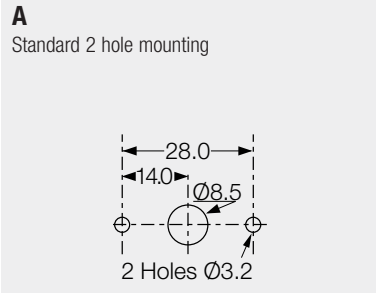
TERMINAL CODE    SERIES CODE    POSITIONS CODE    CIRCUIT CODE    SHAFT CODE    BODY CODE    OPTIONS

### ORDER FORMAT

▶ TERMINAL	▶ SERIES	▶ POSITION	▶ CIRCUIT	▶ SHAFT																																																
<p><b>C</b></p> <p>6.3 x 0.8</p>	<p><b>9</b></p>	<p><b>2</b></p> <p>Switching positions</p>	<p><b>9100 switches offer almost infinite switching options</b></p> <p>For this reason it is impractical to show all the options available.</p> <p>The table below gives an example of a 5 position switching sequence: OFF, 1, 1+2, 1+2+3, 1+2+3+4</p> <table border="1"> <tr> <td>Off</td> <td>Pos 1</td> <td>Pos 2</td> <td>Pos 3</td> <td>Pos 4</td> <td>Pos 5</td> </tr> <tr> <td></td> <td></td> <td></td> <td></td> <td></td> <td></td> </tr> <tr> <td>A</td> <td></td> <td></td> <td></td> <td></td> <td></td> </tr> <tr> <td>B</td> <td></td> <td></td> <td></td> <td></td> <td></td> </tr> </table> <p><b>The code</b> for your chosen circuit will be allocated by our technicians. Please contact sales for details.</p> <p>Use the blank table to plan your switching up to 6 positions.</p> <table border="1"> <tr> <td>Pos 1</td> <td>Pos 2</td> <td>Pos 3</td> <td>Pos 4</td> <td>Pos 5</td> <td>Pos 6</td> </tr> <tr> <td></td> <td></td> <td></td> <td></td> <td></td> <td></td> </tr> <tr> <td>A</td> <td></td> <td></td> <td></td> <td></td> <td></td> </tr> <tr> <td>B</td> <td></td> <td></td> <td></td> <td></td> <td></td> </tr> </table>	Off	Pos 1	Pos 2	Pos 3	Pos 4	Pos 5							A						B						Pos 1	Pos 2	Pos 3	Pos 4	Pos 5	Pos 6							A						B						<p><b>A</b></p> <p><b>B</b></p> <p><b>C</b></p> <p><b>N</b></p> <p>A - Dim. X = 26.0 B - Dim. X = 22.0 C - Dim. X = 10.8 N - Dim. X = 20.0 K - Dim. X = 13.0</p> <p><b>D</b></p> <p>D - Dim. X = 12.2 T - Dim. X = 18.0</p> <p><b>M</b></p> <p><b>P</b></p> <p><b>R</b></p> <p><b>S</b></p> <p><b>L</b> supplied without shaft</p>
Off		Pos 1		Pos 2	Pos 3	Pos 4	Pos 5																																													
A																																																				
B																																																				
Pos 1		Pos 2		Pos 3	Pos 4	Pos 5	Pos 6																																													
A																																																				
B																																																				
<p><b>H</b></p> <p>4.8 x 0.8</p> <p>For approval information on H terminals, contact sales.</p> <p>Simple circuits may not use all terminals. Unnecessary terminals may be omitted.</p>	<p><b>3</b></p> <p>Switching positions</p>	<p><b>4</b></p> <p>Switching positions</p>	<p><b>5</b></p> <p>Switching positions</p>	<p><b>6</b></p> <p>Switching positions</p>																																																



**BODY**



**Recommended Mounting**  
2 each of No4 / 3.0mm self tapping screws  
5.0mm min penetration into switch body.

**Stacked Switches**  
For more complex switching a second switch may be stacked on the first.



**OPTIONS**

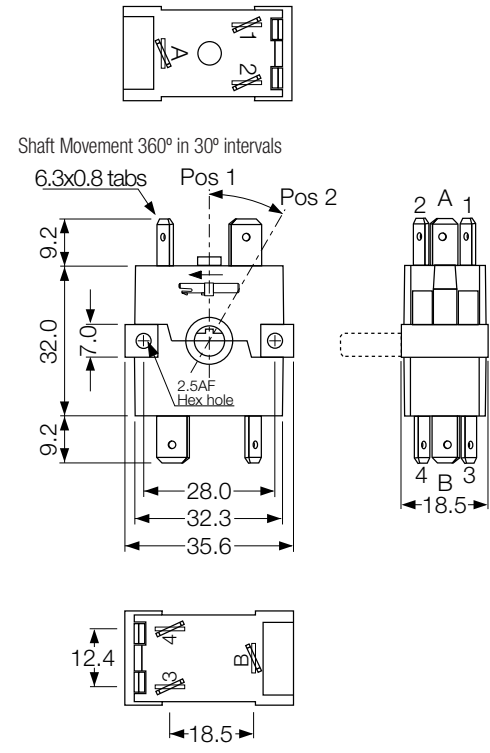
**Anti-rotation stops**  
May be fitted at any of the index positions to limit the maximum angle of rotation.

**Panel clearance**  
A spacer can be fitted to the switch body to increase the clearance between the mounting panel and switch terminals.

**Custom shafts**  
Custom shafts of any length, with or without a "D" flat, can be produced from our infinitely variable tooling. The flat can be at any angle.

For all options call sales.

**DIMENSIONS (mm)**



**Note**  
In the circuits on this page, the symbol ● shows the position of the switch cam, NOT the position of the shaft flat.